

# A10Z04NDDC-NFS

Home | Security | Lenses | Varifocal

A10Z04NDDC-NFS  
F1.4/10-40mm DC Lens/var. Focal Length with No Focus Shift,

1/2" C Mount

**Art-Nr. 43239**



## Main Features

Suitable for 1/2" and 1/3" colour and b&w cameras  
No-focus-shift from visible to near IR light range  
Variable focal length  
Aspherical lens elements  
C mount

High standard of optical and mechanical quality  
Without built-in auto iris amplifier  
With 4 pin connector  
Adjustable slip-ring mount for cable positioning

## Specifications

Lens type	varifocal
Application range	day/night
Day/Night	yes
Megapixel	no
Aspherical technology	yes
Nominal format size	1/2"
Flange focal length	17.526mm
Mount	C
Slip-ring mount	340° ~360° Variable adjustment range
Focal length	10 mm - 40 mm
Horizontal angle of view	37,5° - 9,2°
MOD (Minimum object distance)	0,5 m
Aperture range (F)	F1.4~F250
Iris control	DC

# A10Z04NDDC-NFS

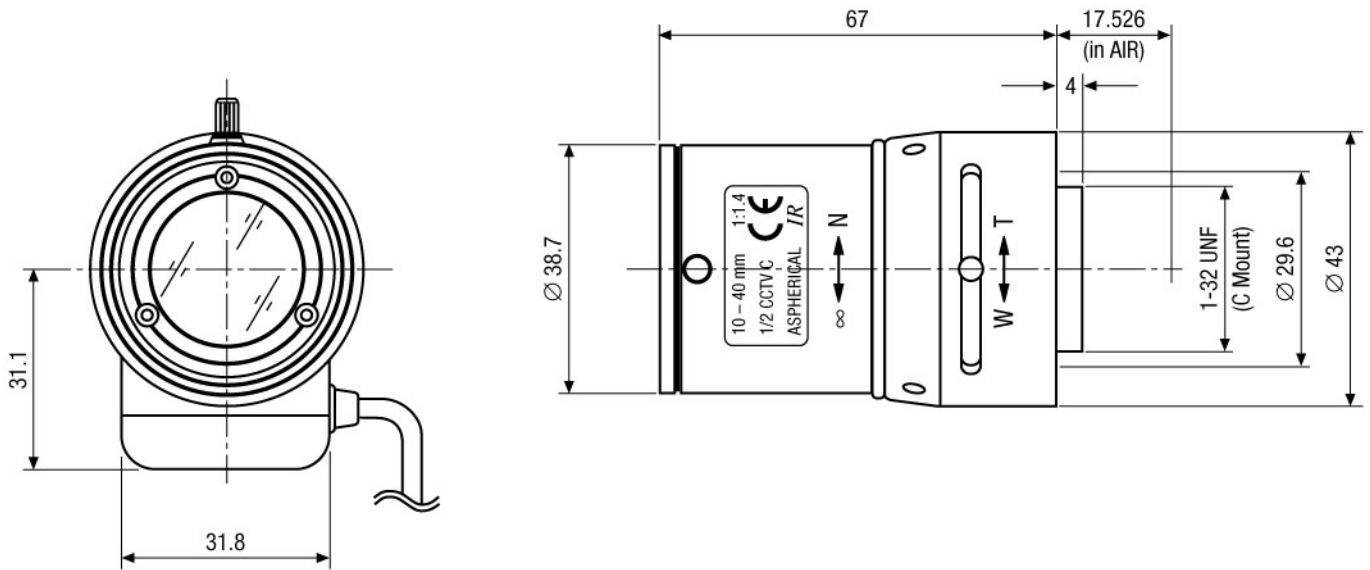
(Continuation Specifications)

<b>Focus constant range</b>	+0.05mm at f10 and f40mm; -0.01mm at f25mm (Focus deviation at switch-over to IR light at 850nm)
<b>Screw-in depth</b>	4.2mm
<b>Filter screw size</b>	not available
<b>Cable length</b>	approx. 20cm
<b>4-pin plug</b>	Standard
<b>Temperature range (operation)</b>	-20°C ~+50°C
<b>Length</b>	67 mm
<b>Diameter</b>	43 mm
<b>Radius</b>	31,1 mm
<b>Weight</b>	89g

# A10Z04NDDC-NFS

Home | Security | Lenses | Varifocal

## Technical drawing



Maße/Dimensions: mm

SLD Security & Communications  
The Old Forge, Ockham Lane, Ockham, Surrey GU236PH England  
Phone +44.1483225633 · Fax +44.1483225634  
sales@sld.co.uk · www.sld.co.uk

