

F02Z02NDDC

Home | Security | Lenses | Varifocal

F02Z02NDDC
F1.6/1.8-3.6mm DC Lens, 1/3" CS Mount,

Variable Focal Length

Art-Nr. 43199



SLD Security & Communications

Main Features

Suitable for 1/3" and 1/4" colour and b&w cameras
CS Mount
Variable focal length

High standard of optical and mechanical quality
Without built-in auto iris amplifier
With 4 pin connector for DC iris control

Specifications

Lens type	varifocal
Day/Night	no
Megapixel	no
Aspherical technology	no
Nominal format size	1/3"
Flange focal length	12.5mm
Mount	CS
Focal length	1,8 mm - 3,6 mm
Horizontal angle of view	144,2° - 79,4°
MOD (Minimum object distance)	0,2 m
Aperture range (F)	F1.6~F360
Iris control	DC
Screw-in depth	3.5mm
Filter screw size	not available
Cable length	approx. 25cm
4-pin plug	Standard

F02Z02NDDC

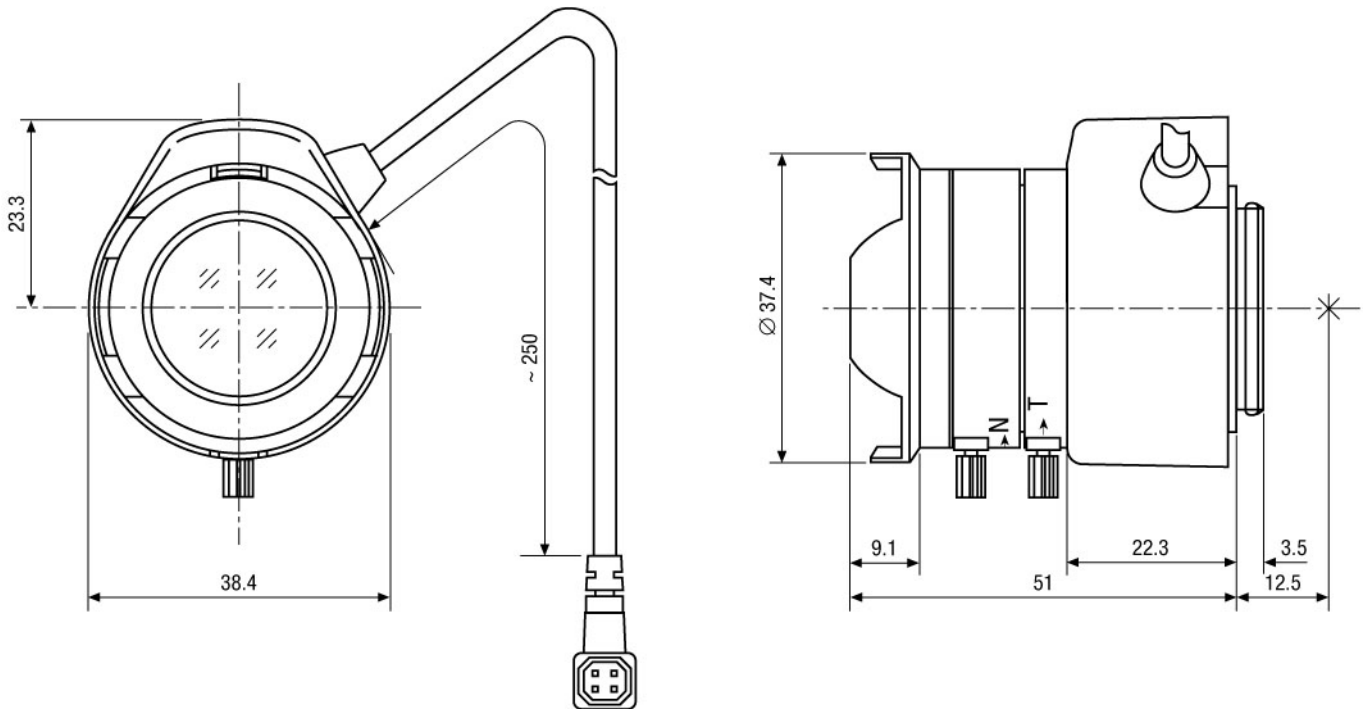
(Continuation Specifications)

Temperature range (operation)	-20°C ~+50°C
Length	51 mm
Diameter	37,4 mm
Radius	23,3 mm
Weight	78g

F02Z02NDDC

Home | Security | Lenses | Varifocal

Technical drawing



Maße/Dimensions: mm

SLD Security & Communications
The Old Forge, Ockham Lane, Ockham, Surrey GU236PH England
Phone +44.1483225633 · Fax +44.1483225634
sales@sld.co.uk · www.sld.co.uk

