

# VKCD-1333SM/49

Home | Security | Dome Cameras | Fixed

VKCD-1333SM/49  
1/3" Dome, Fixed, Day&Night, 4-9mm 600TVL, 12VDC,

Art-Nr. 92575



## Main Features

1/3" Sony Super HAD II CCD	Privacy masking/Mirror function/Motion detection
Sensitivity of 0.15Lux at F1.2	Integrated fix lens: F1.5/4-9mm
On-screen display (OSD)	Manual 3-axis camera gimbal
Backlight compensation (BLC)	Supply Voltage: 12VDC
High speed shutter control (MES/ESC)	Dome bubble size: 100mm diam.
Digital noise reduction (DNR)	For wall and ceiling surface mounting

## Specifications

System	day&night
Video standard	PAL
Sensor size	1/3"
Imager	CCD
Imager	Sony Super HAD II Interline Transfer
Active picture elements	440,000 (H) 752 x (V) 582
Horizontal resolution	600 TVL
Synchronization	internal
Signal-to-noise ratio	50dB (AGC OFF)
Sensitivity (at 50% video signal)	0,15 Lux
Sensitivity (at 50% video signal)	(colour), 0.06Lux (B&W) at F1.2 (measured)
Automatic gain control (AGC)	ON/OFF switchable
Automatic electronic shutter (ESC)	1/50 ~ 1/120,000sec.

# VKCD-1333SM/49

(Continuation Specifications)

<b>Manual electronic shutter (MES)</b>	1/50 ~ 1/120,000sec.
<b>Low speed shutter</b>	no
<b>Digital Noise Reduction (DNR)</b>	yes, adjustable: Max / Mid / Min, ON/OFF switchable
<b>Backlight compensation</b>	BLC
<b>Backlight compensation</b>	OFF/Low/Mid/High selectable
<b>Wide Dynamic Range (WDR)</b>	no
<b>Aperture Correction (APC)</b>	horizontal and vertical
<b>Flickerless function</b>	ON/OFF switchable
<b>IR cut filter</b>	OLPF (Overlay Low Pass Filter)
<b>Privacy zones masking</b>	4 areas selectable
<b>Menu languages</b>	English
<b>OSD function control</b>	Mirror (H), Day&Night, AGC, BLC, DNR, Flickerless, Shutter, Sharpness, Brightness, White balance, R-Y/B-Y, Privacy zones masking, Motion Detection, Text, DC level
<b>Text display</b>	8 character labels, ON/OFF switchable
<b>Activity detection</b>	yes
<b>Motion detector</b>	4 zones, ON/OFF switchable
<b>Automatic white balance (AWB)</b>	Available
<b>Digital zoom</b>	no
<b>Analysis Functions</b>	no
<b>Lens type</b>	varifocal
<b>Focal length</b>	4 mm - 9 mm
<b>Horizontal angle of view</b>	71° - 31,6°
<b>MOD (Minimum object distance)</b>	0,5 m
<b>Aperture range (F)</b>	F1.5~F250
<b>Video outputs</b>	composite (CVBS), 1Vp-p, (C)VBS, 75ohms, BNC
<b>Rotation range</b>	359°
<b>Alarm inputs</b>	-
<b>Alarm outputs</b>	-
<b>PTZ support</b>	no
<b>Illumination</b>	no
<b>Serial interfaces</b>	no
<b>Housing material</b>	plastic
<b>Bubble</b>	Polycarbonate plastic with black inner liner
<b>Colour (bubble)</b>	clear
<b>Colour (housing)</b>	Pantone Warm Gray 1C
<b>Mounting</b>	ceiling mount, wall mount
<b>Supply voltage</b>	12VDC, 12VDC (10 ~15VDC), 12VDC ±0.5V recommended
<b>Power consumption</b>	Approx. 2watts
<b>Temperature range (operation)</b>	-10°C ~+45°C

## VKCD-1333SM/49

(Continuation Specifications)

Protection rating	n/a
Vandalism resistant	no
Dimensions (HxWxD)	see drawing
Weight	370g
Parts supplied	Screw set, Drilling template, Test Monitor cable, Manual
Certificates	CE
Iris control	DC
Alarm inputs	-
Camera ID	Via ID no. (alpha numeric 001~255)
Sharpness correction	adjustment range: 0 ~20
Brightness	adjustment range: 0 ~20
Internal adjustments	compass switch for menu access
Heater	no
Protection rating	at installation according to the manual
Camera adjustment	3-axis camera adjustment,
Housing	indoor

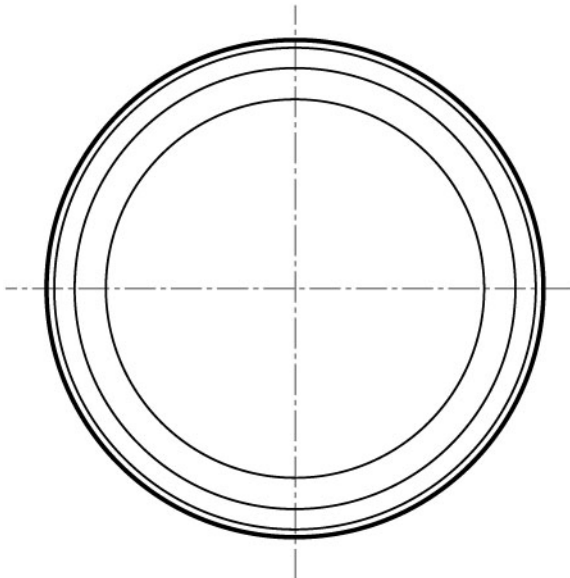
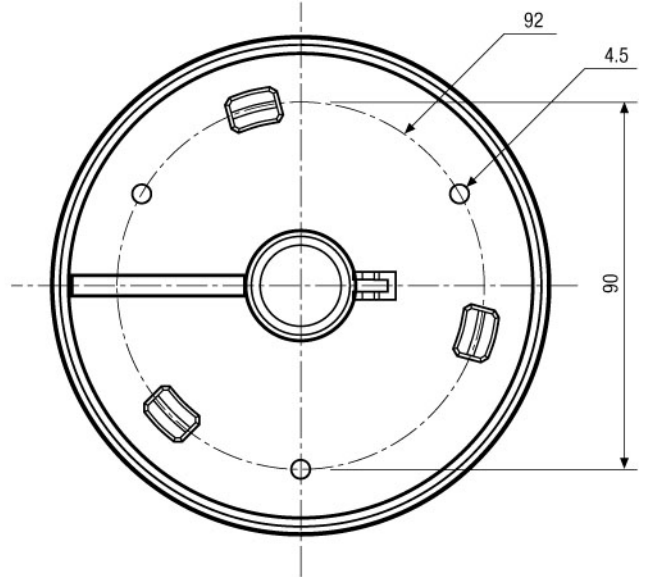
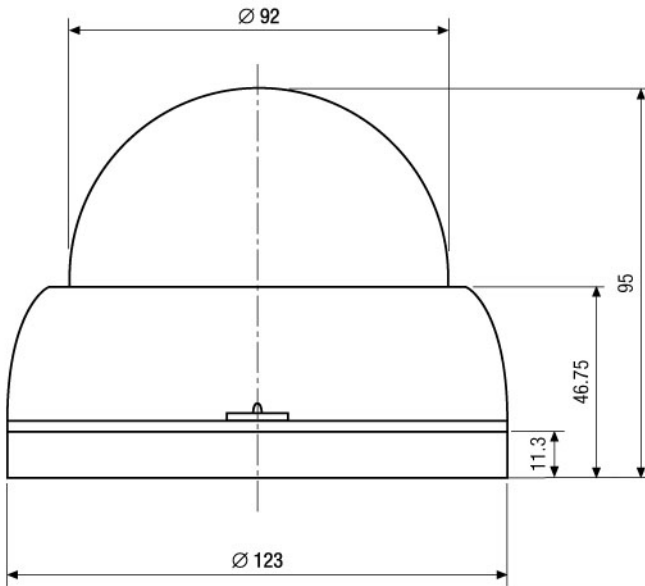
### Optional accessories

70535	VT-PS12DC-8	Plug-in Power Supply Unit 100-240VAC 12VDC (1.0Amp), Regulated, with DC Plug
70495	VT-PS12DC-7	Plugable PSU w. Cont. & UK Mains plug-in 100-240VAC/12VDC-1.25A, Regulated
77773	VT-PS12DCDT1	PSU 12VDC/1.0A, Regulated, Desktop Version, 1.8m Cables each w. open ends

# VKCD-1333SM/49

Home | Security | Dome Cameras | Fixed

## Technical drawing



Maße/Dimensions: mm

SLD Security & Communications  
The Old Forge, Ockham Lane, Ockham, Surrey GU236PH England  
Phone +44.1483225633 · Fax +44.1483225634  
sales@sld.co.uk · www.sld.co.uk

