

NTD-6101/18

Home | Security | IP Dome Cameras | PTZ

NTD-6101/18
1/4" Network Dome, PTZ, Day&Night, 720x576, 18x,

12VDC

Art-Nr. 93151



Main Features

1/4" Super HAD ExView CCD sensor
Zoom lens: F1.4/4.1-73.8mm / 10x digital zoom
Sensitivity of 0.5Lux at F1.2 (colour)
High and low speed shutter control (AES/MES/DSS)
On-screen menu control / Camera title display
80 presets

MPEG-4 compression
Image frame rate: Up to 25 ips. (720x576 px.)
Viewer for monitoring, recording and configuration
Pre and post event recording (in client PC)
Integrated web server: 10Base-T/100Base-TX
E-mail notification in case of an alarm

Specifications

Series	eneo NT
System	day&night
Video standard	CCIR/PAL
Sensor size	1/4"
Imager	CCD
Genlock synchronization	No
Digital signal processing (DSP)	DSP-3R
Sensitivity (at 50% video signal)	0,5 Lux, (colour) at F1.2 (measured)
Horizontal resolution	480 TVL
Automatic gain control (AGC)	automatic (with manual override)
Automatic electronic shutter (ESC)	1/50 ~ 1/10,000sec.
Manual electronic shutter (MES)	1/50 ~ 1/10,000sec.
Digital Noise Reduction (DNR)	no

NTD-6101/18

(Continuation Specifications)

Low speed shutter	yes
White balance	manual, automatic, outdoor, indoor, ATW, AWC (Hold)
Backlight compensation	BLC
Wide Dynamic Range (WDR)	no
IR cut filter	switchable
Zones	16 each with programmable 12 character label
Resolution max.	720 x 576
Resolution	Network: 720x576 (D1), 640x480, 320x240, 160x120 Px.
Image transmission rate max.	25 B./Sek.
Frame rate	25 fps at 720x576 Px. (PAL)
Privacy zones masking	ON/OFF switchable
Activity detection	yes
Text display	16 character label
Menu languages	English
Picture adjustments	Colour, Brightness, Contrast
Video outputs	composite (CVBS), 1Vp-p, (C)VBS, 75ohms, BNC
Audio support	yes
Audio	not in conjunction with connection cable NTD-OPX/IPX-CC1, Article no. 74144
Alarm inputs	1, 2, selectable between NO and NC
Alarm outputs	1
Alarm processing	built-in motion detection, adjustable sensitivity and dwell time, e-mail function
Internal storage	no
Compression standard	MPEG-4, part 2 (ISO/IEC 14496-2), Profile: SP and ASP
Audio standards	PCM 16/8 Bit
Bandwidth	adjustable
Stream types	MPEG-4
Ethernet interface	10Base-T, 100Base-TX
Web browser	MS Internet Explorer Vers. 6.0
Network protocols	TCP/IP, DHCP, HTTP, DNNS, UDP, RTP, RTSP, SMTP, FTP
Lens type	zoom
Lens	F1.4 -F75/4.1 ~73.8mm (18x optical, 12x digital zoom)
Focal length	4,1 mm - 73,8 mm
Horizontal angle of view	48° - 2,8°
Digital zoom	12x
Iris control	auto iris, Automatic (with manual override)
Focus control	Automatic with manual override
MOD (Minimum object distance)	0,5 m
Illumination	no

NTD-6101/18

(Continuation Specifications)

Pre-alarm recording	180sec. max.
Post-alarm recording	up to 180sec.
Search function	alarm/event/time searching
Serial interfaces	RS-485, RS-485 for telemetry control (proved protocols: eneo Fastrax, Pelco P&D)
Access	10 users simultaneous support
Software update	via network Interface, incl. viewer setup
Password protection	yes
PTZ support	yes
Speed range at manual control (pan)	0.5° ~90°/sec., Turbo: 380°/sec. (Proportional to the zoom position)
Speed range at manual control (tilt)	0.5° ~90°/sec. (Proportional to the zoom position)
Rotation range	360°
Auto flip function	rotates dome 180° at bottom of tilt travel
Backlash	0.2°
Proportional pan and tilt	continually decreases pan and tilt speeds in proportion to depth of zoom
Patterns	4 patterns: 1x up to 240sec., or 3x up to 240sec. in total
Preset positioning	80 presets with 16-character labels each. 0.75sec. max. preset recall time
Programmable park position	included
Tours	up to 8 user programmable guard tours with vector scan, consisting of 42 presets and other functions with individual dwell time (3 to 99sec.), selectable fast or slow vector scan
Autoscan	1x Autopan, 8x Autoscan
Supply voltage	12VDC
Power over Ethernet	no
Heater	no
Power consumption	12W max.
Mounting	ceiling mount
Temperature range (operation)	0°C ~+50°C
Vertical tilt range	-10° ~+90°
Vandalism resistant	no
Housing	indoor, Black plastic for indoor drop-ceiling mount up to 0°C
Housing material	plastic
Colour (housing)	black
Colour (bubble)	clear
Protection rating	n/a
Management Software Support	NT-Manager, Nimra, Numina, Zelarix, Aimetis - Symphony, Netavis
SDK	upon request
ONVIF	no
Certificates	CE

NTD-6101/18

(Continuation Specifications)

Dimensions (HxWxD)	see drawing
Weight	1.25kg
Parts supplied	Power supply unit 230V/12VDC, RS-485 & Alarm connection cable, Viewer Software, Configuration and client CD-R

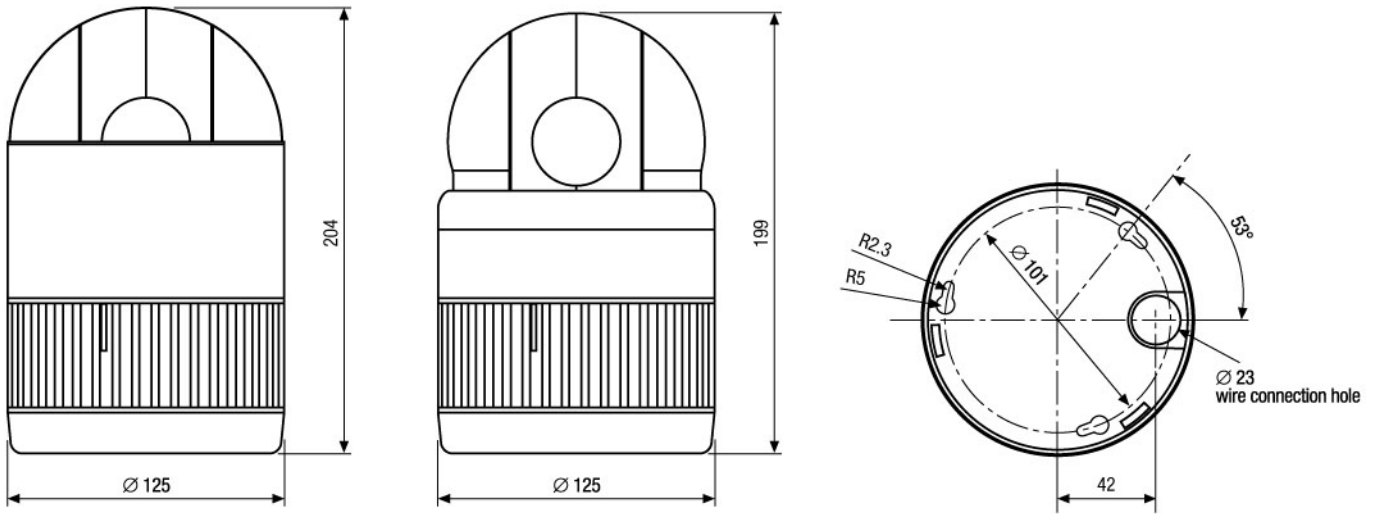
Optional accessories

74130	EDC-OPC-2/24V	Pendant Mount Outdoor Dome Housing, Sun Shield, Clear Bubble 6.5", 24VAC
74746	KBD-NSC-100	Network System Controller with 3-Axis Joystick and Jog Shuttle, 5VDC
93171	NUMINA	Video Management Software, for eneo NT, NX, NL, Client/Server, ON-VIF
74136	EDC-OPS-2/24V	Pendant Mount Outdoor Dome Housing with Sunshield, Tinted Bubble 6.5", 24VAC
70543	VT-PS12DC-10	Plugable AC/DC Adapter 100-240V/12VDC- 2.5A, stab., Cont. & UK Mains plug-ins
74134	EDC-IPS-2/24V	Pendant Mount Indoor Dome Housing with Tinted Bubble 6.5", 24VAC
74135	EDC-IPC-2/24V	Pendant Mount Indoor Dome Housing with Clear Bubble 6.5", 24VAC
93159	NT-SMARTMANAGER	Utility S/W Tool for eneo Network Series NT, NX, NL
93156	NT-MANAGER	Remote Administration Interface Software for eneo NW Series NT, NX, NL
74144	NTD-OPX/IPX-CC1	Connection cable for NTD-6101/xx Network Domes in In/Outdoor Housing
93170	NIMRA	Video Management Software, for eneo NT, NX, NL, Single User
74154	EDC-IDFSW	Flush Mount Dome Housing, White Trimring Smoked Bubble 6.8"

NTD-6101/18

Home | Security | IP Dome Cameras | PTZ

Technical drawing



Maße/Dimensions: mm

SLD Security & Communications
The Old Forge, Ockham Lane, Ockham, Surrey GU236PH England
Phone +44.1483225633 · Fax +44.1483225634
sales@sld.co.uk · www.sld.co.uk

